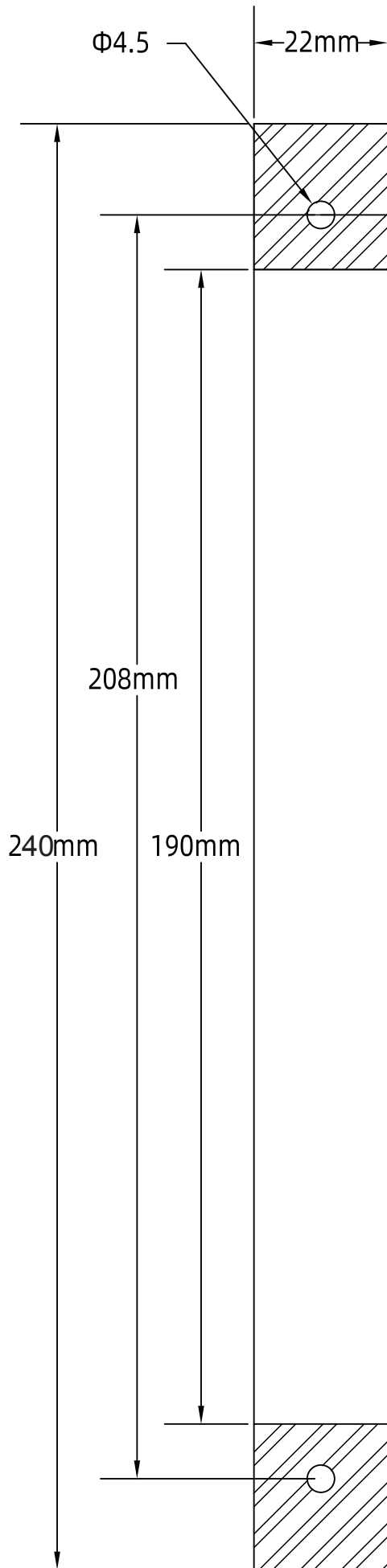


Screw-sliding design, please drill hole to match screw position in handle



(FOLD ALONG DOOR EDGE)

(FOLD ALONG DOOR EDGE)

