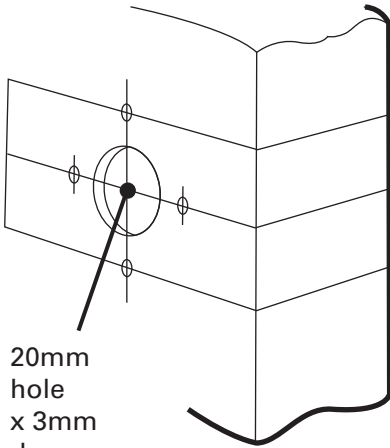


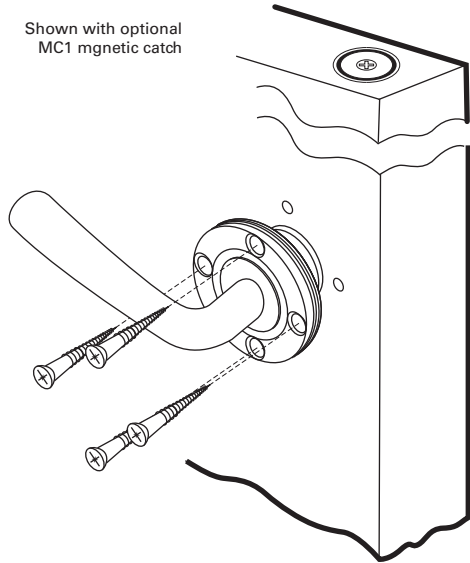
1 Mark and drill door



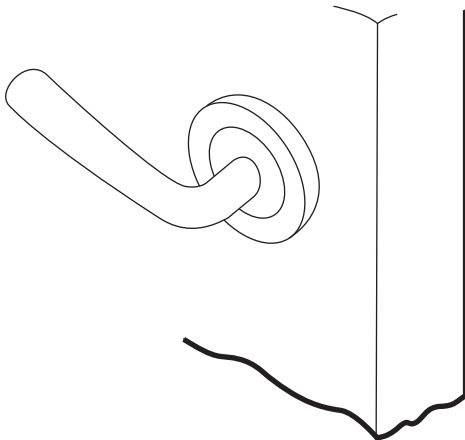
20mm
hole
x 3mm
deep

2 Drill and fit 4 wood screws

Shown with optional
MC1 magnetic catch



3 Fit cover plate over handle



*With this fixed dummy set
we recommend using our
magnetic catch product
code MC1*

Installation Template

