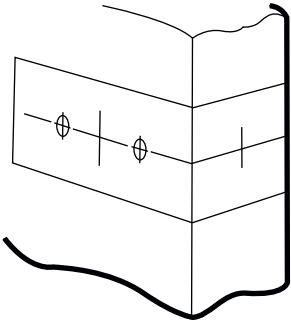
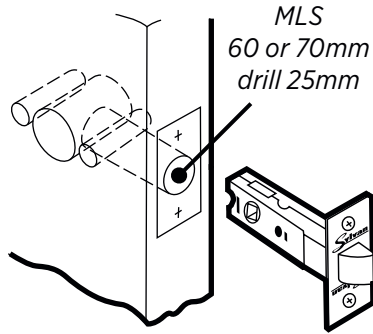


1 Mark and drill door

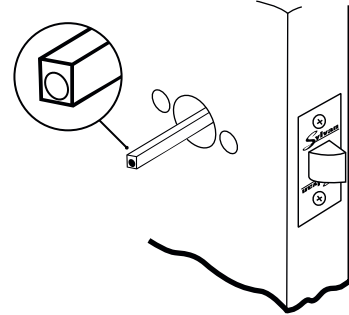


2 Check forend of latch and fit latch



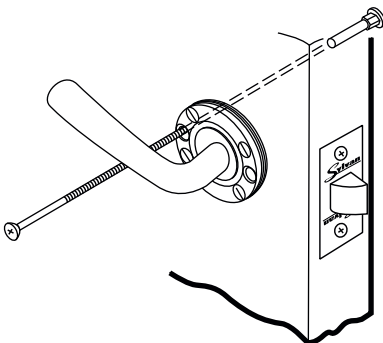
3 Fit spindle through latch

Offset hole at the bottom, Allow equal length of spindle on either side of door

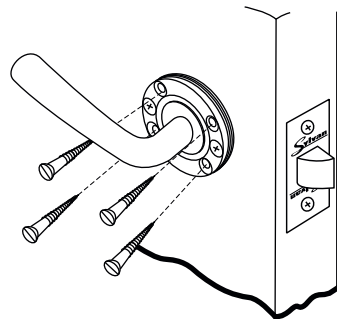


4 IMPORTANT STEP

Fit through bolt fixing screw

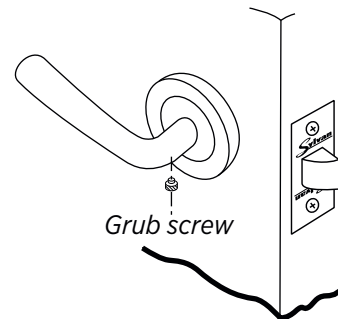


5 Drill and fit 4 wood screws for alignment only



6 Fit cover plates over handles

Tighten up grub screws onto the spindle using allen key provided



Square door edge ——— Bevel door edge
Place template on high edge of bevel door

Mark centre of door

Drill 25mm hole at centre of the door edge

For 60mm backset fold here

