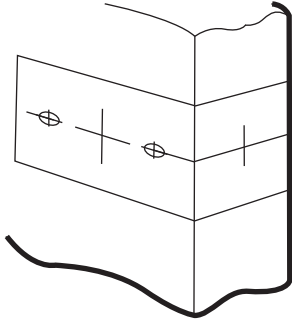
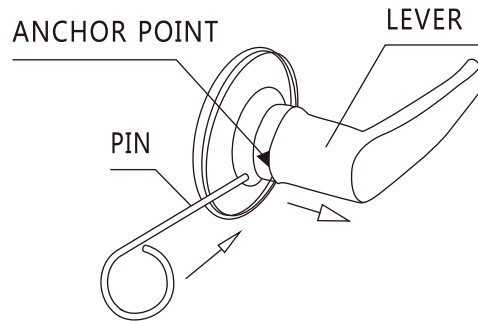


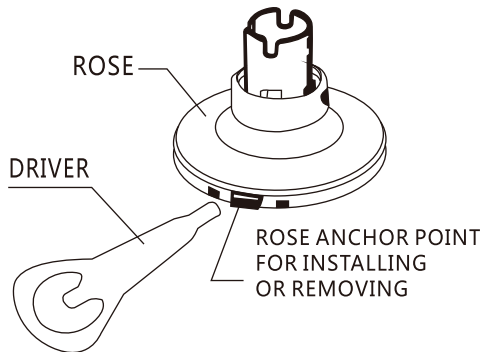
- 1 Mark and drill door.**  
Start approx 990mm from the floor, fold and apply the supplied template and mark 2 centre points at your desired backset of 60mm or 70mm. Using a 2.5mm drill bit, drill to a depth of 5mm using the marked holes.



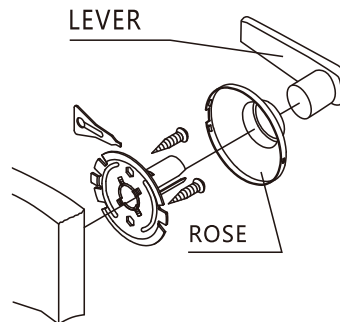
- 2 Remove the Lever from base.**  
Using the pin supplied, press the anchor point and remove the lever from the base.



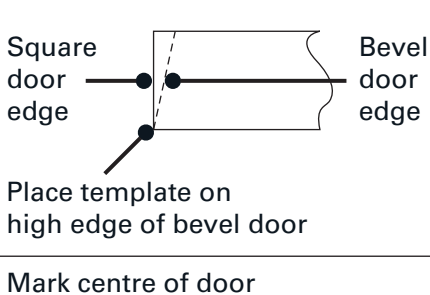
- 3 Remove the Rose from base.**  
Using the supplied install driver, depress the rose anchor point and pull the rose to remove from the base.



- 4 Install the Lever.**  
Place the rose on the door aligning the holes with the pre-drilled holes and insert x2 supplied screws, install the rose firmly placing over the base until set. The install the Lever by placing over the base and slide on until it clicks.



With this fixed dummy set we recommend using our MC1 Magnet, visit our website for further information.



For 70mm backset fold here  
For 60mm backset fold here

Drill 2.5mm holes x 2  
5mm Deep

42mm