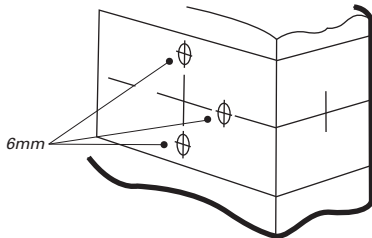


1 Mark and drill door.

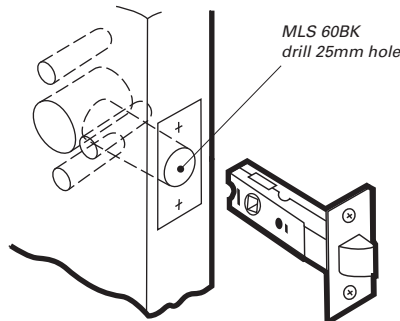
Using template, mark

- Centre of door edge
- 6mm holes x 3
- 20mm hole through door

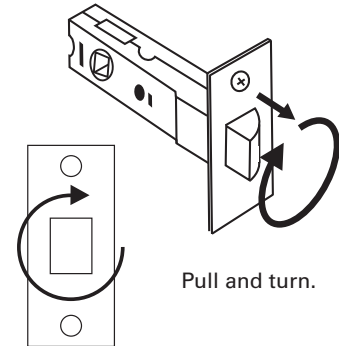


- Drill 25mm hole square to door edge, 100mm deep
- Drill 20mm hole through door face from both sides
- Drill 2x 6mm holes through door face from both sides.

2 Check forend of latch and fit latch.



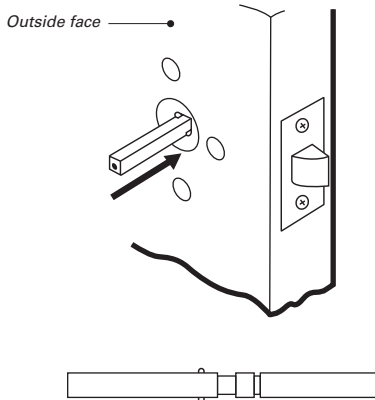
3 Decide on handing of latch.



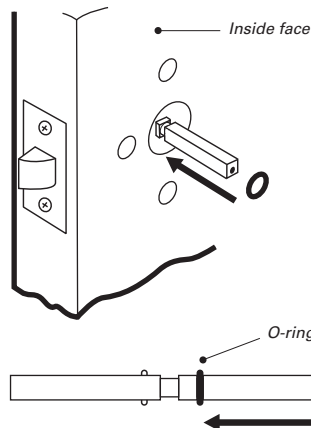
Pull and turn.

4 Fit spindle through latch.

Thinner part of spindle hole downwards. Slide spindle in from outside face of door until spindle comes to a solid stop inside latch. Note: O-ring groove on inside.



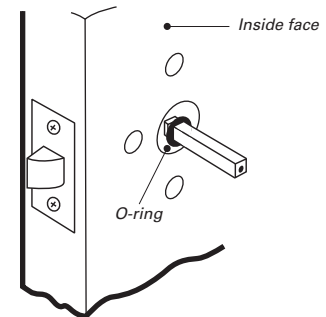
5 Fit rubber O-ring into slot mid way down spindle.



Note: From inside face.

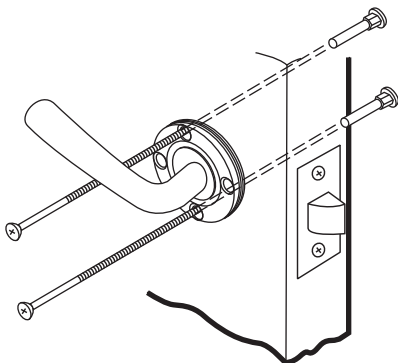
6 Check O-ring is seating correctly in spindle.

Check to make sure spindle cannot slide out. O-ring should hold spindle in firmly.



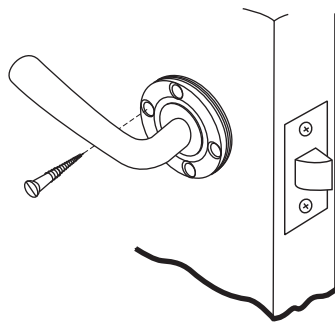
7 IMPORTANT STEP

Fit through 2x bolt fixing screws.



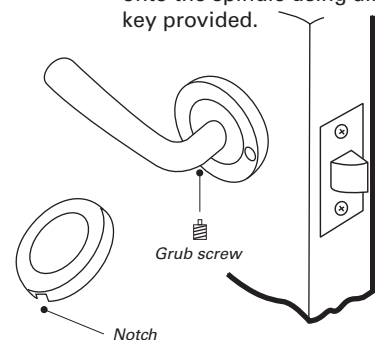
8 Fit both handles onto spindle.

Fit 1x wood screw.

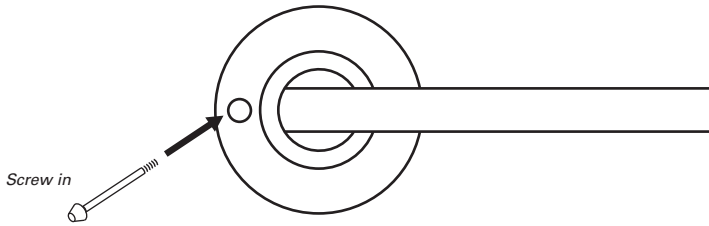


9 Fit cover plates over handles, ensure notch is at the bottom.

Tighten up grub screws onto the spindle using allen key provided.

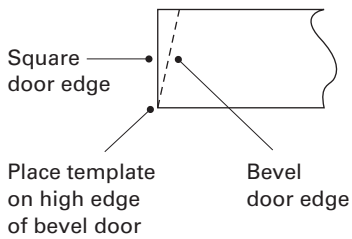


10 Fit bathroom snib to inside handle.



11 Check action while door is open.

- Push snib button, check outside is locked.
- Pull on inside handle. It should pop off button.
- If ok, check operation with door closed.



Mark centre of door

Drill 25mm hole at centre of the door edge

