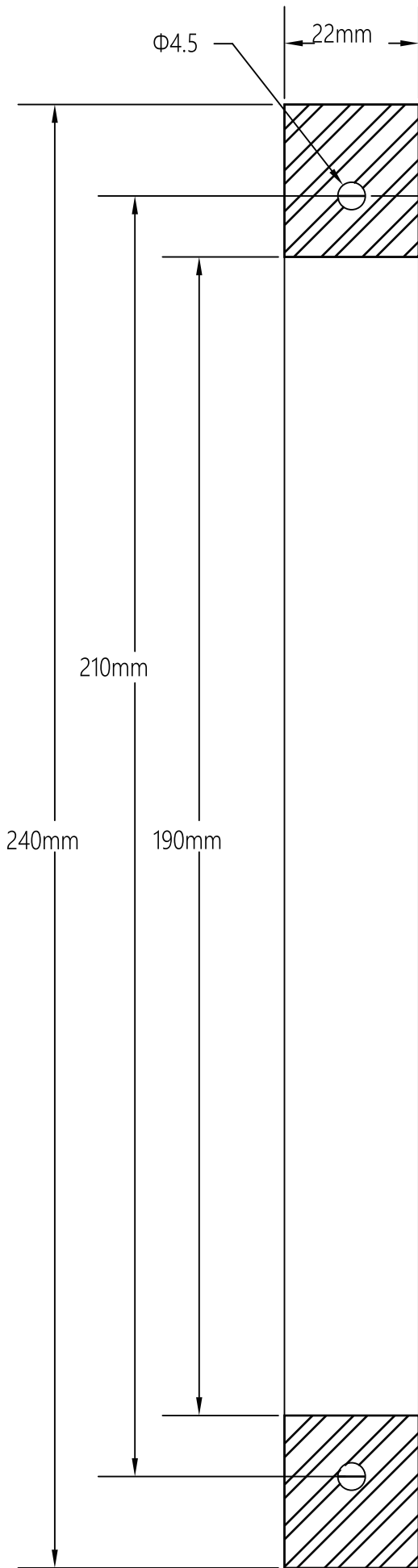
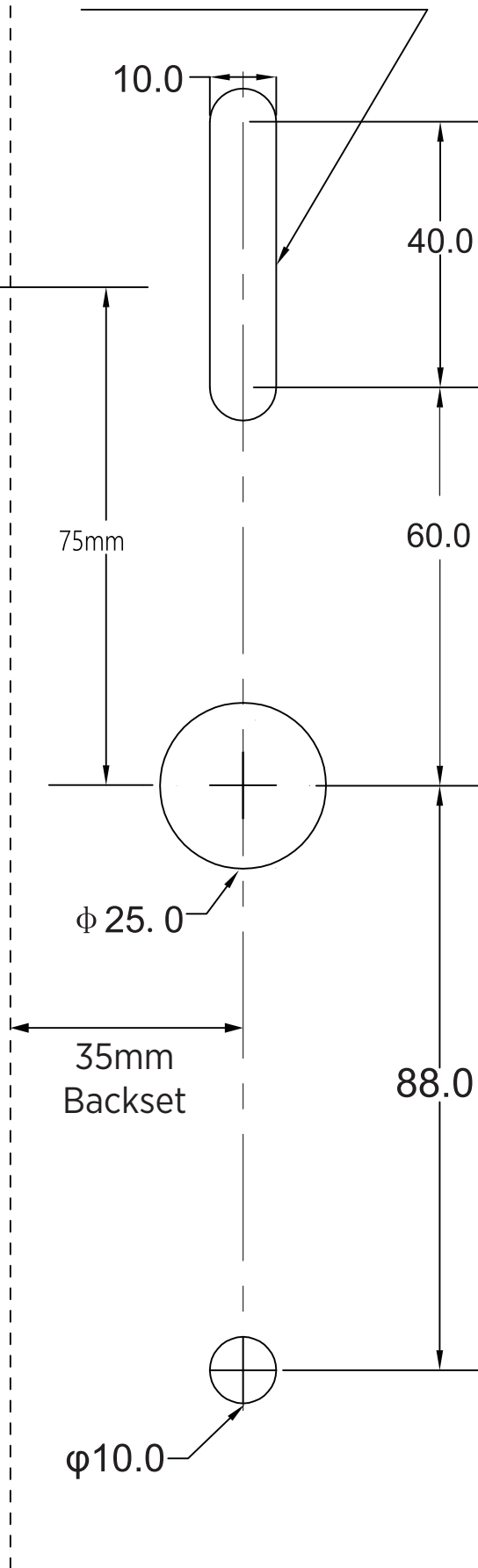


Screw-sliding design, please drill hole to match screw position in handle

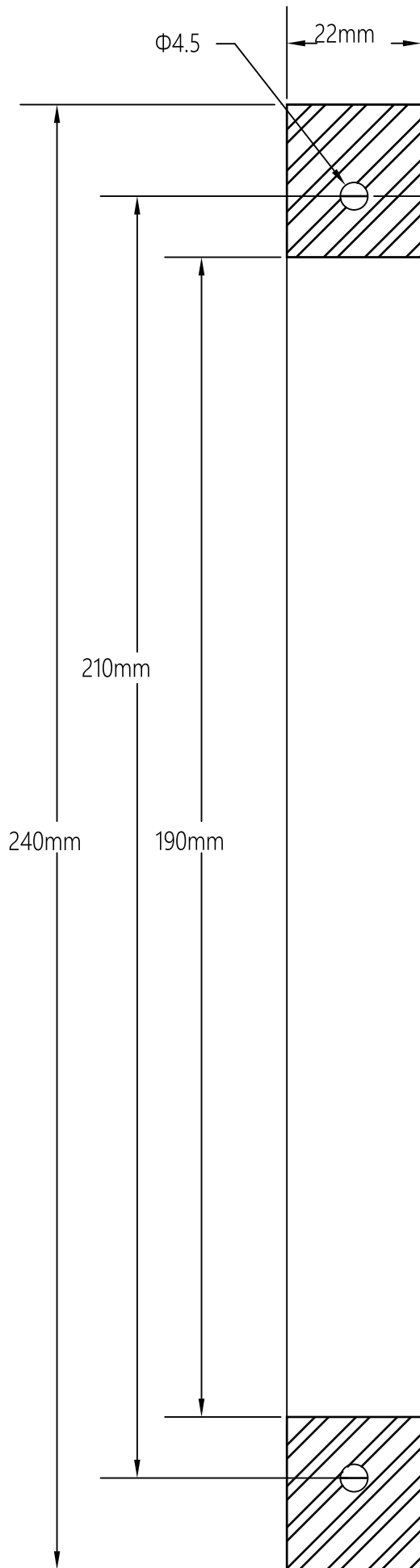


(FOLD ALONG DOOR EDGE)



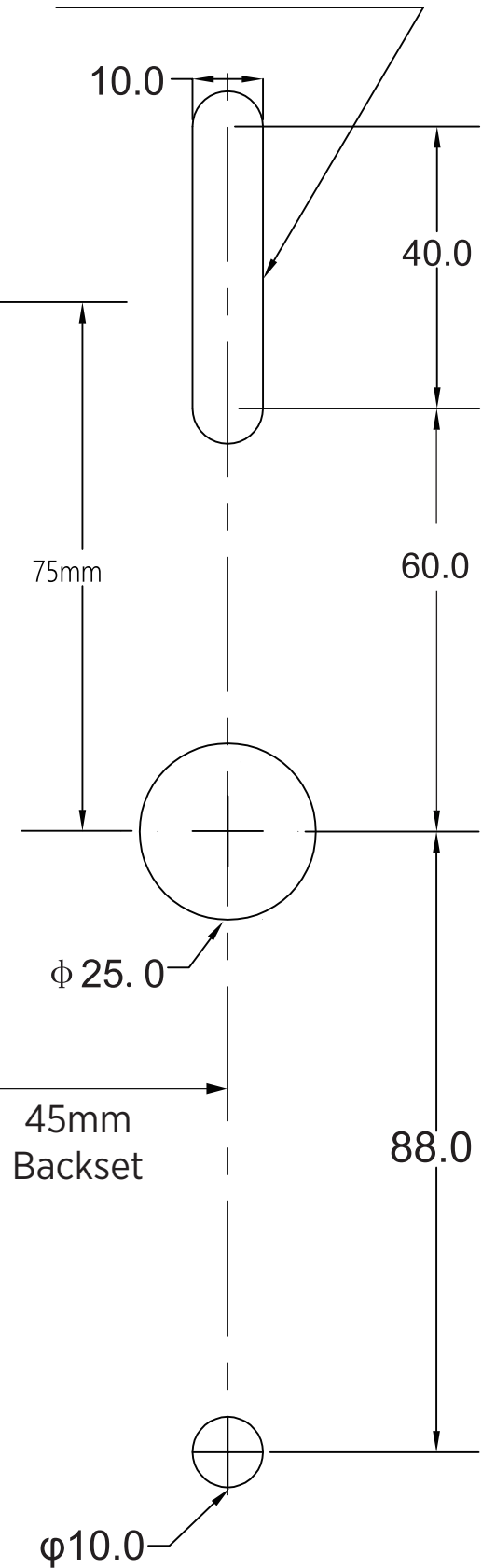
(FOLD ALONG DOOR EDGE)

Screw-sliding design, please drill hole to match screw position in handle



(FOLD ALONG DOOR EDGE)

(FOLD ALONG DOOR EDGE)



Screw-sliding design, please drill hole to match screw position in handle

