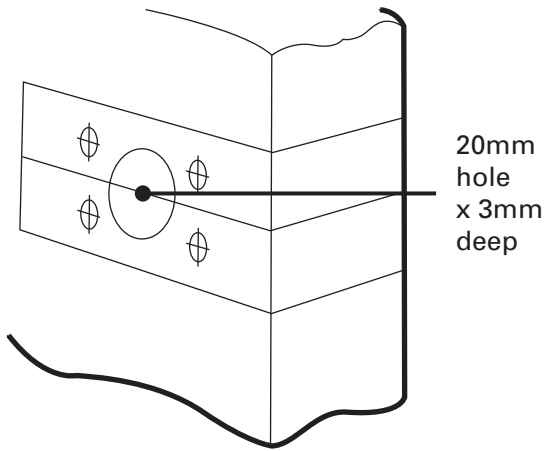
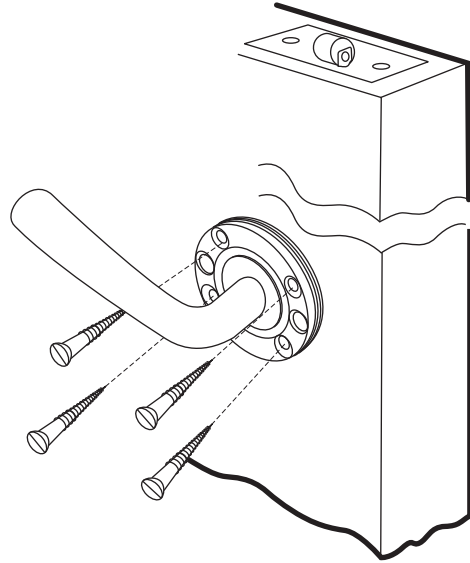


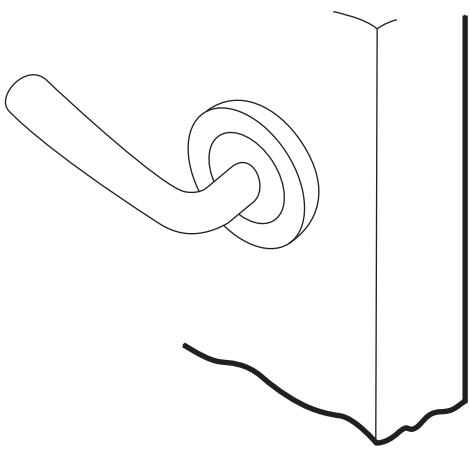
**1 Mark and drill door**



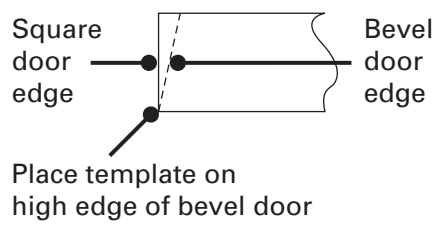
**2 Drill and fit 4 wood screws**



**3 Fit cover plate over handle**



*With this fixed dummy set we recommend using our roller bolt latch product code RB601 available in satin chrome plated, polished brass, chrome plated or antique brass plated*



For 70mm backset fold here

For 60mm backset fold here

